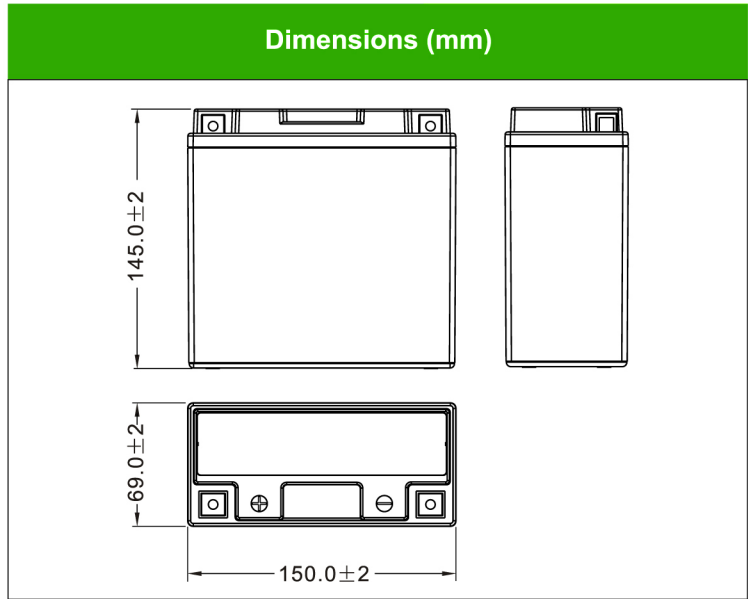
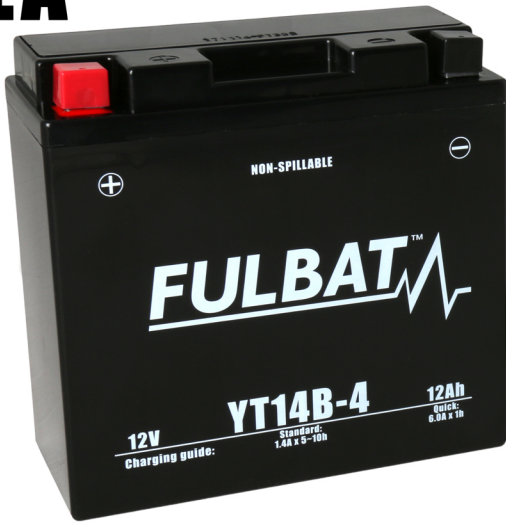
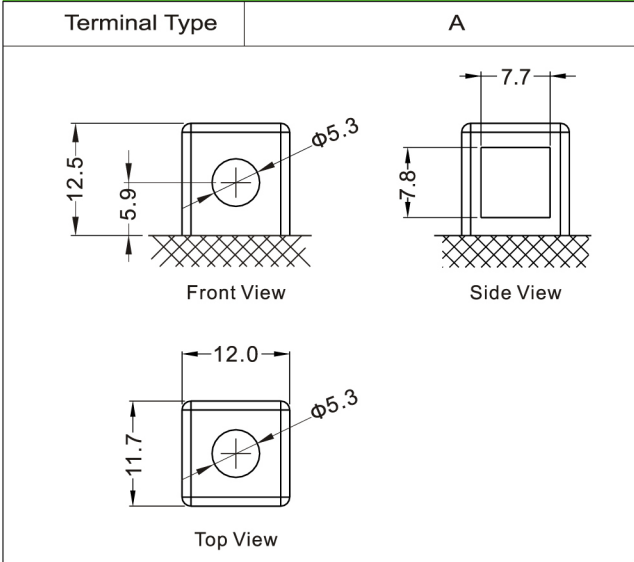


**SLA**



**Standard Terminal (mm)**

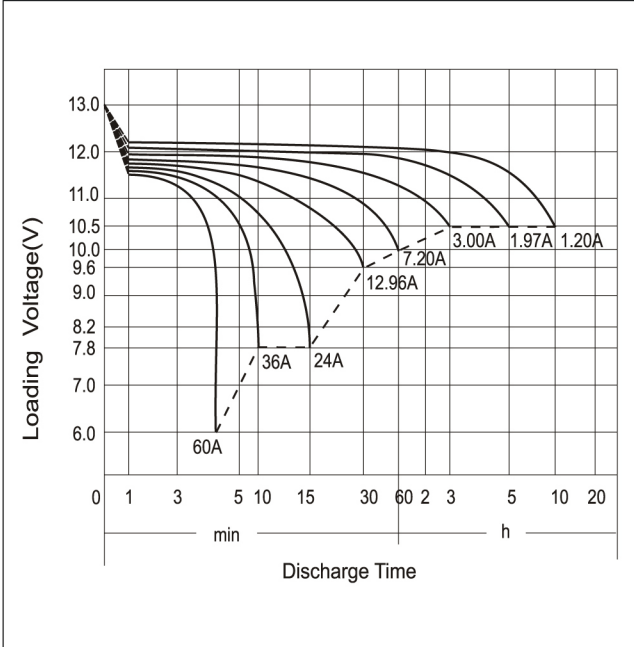


**Physical Specification**

Nominal Voltage	12V	
Nominal Capacity (10HR)	12AH	
Dimension	Length	150 ± 2mm (5.91 inches)
	Width	69 ± 2mm (2.72 inches)
	Container Height	145 ± 2mm (5.71 inches)
	Total Height (with Terminal)	145 ± 2mm (5.71 inches)
Weight	Battery(with acid):	Approx 4.16kg (9.16lbs)
	Electrolyte:	Approx 0.73kg (1.61lbs)

- \* Sealed and non-spillable AGM battery
- \* Maintenance-free
- \* Powerful 190 cold cranking amps
- \* Shipped pre-charged and ready to install
- \* Replaces YT14B-BS battery

**Discharge Characteristics (25°C, 77°F)**



**Electrical Specification**

Rated Capacity	10 hour rate (1.20 A)	12.00AH
	5 hour rate ( 1.97 A)	9.84AH
	2 hour rate (4.20 A)	8.40AH
	1 hour rate (7.20 A)	7.20AH
	0.5 hour rate (12.96 A)	6.48AH
Capacity affected by Temperature	40 °C (104 °F)	106%
	25 °C (77 °F)	100%
	0 °C (32 °F)	86%
	-15 °C (5 °F)	65%
Self Discharge	Approximately 3% per month (25°C (77°F))	
Charging Methods	Full Charge	Constant-Voltage Charge: Initial charging current: less than 3.6A Voltage: 14.40 V ~ 15.00 V at 25 °C (77 °F) Charging time: 15 ~18h Constant-Current Charge: Charging current: 0.1C <sub>10</sub> =1.20A, when charging voltage up to 14.40V, continue to charge 4h
	Floating Charge	No limit on Initial charging current Voltage: 13.50 V ~ 13.80 V at 25 °C (77 °F)